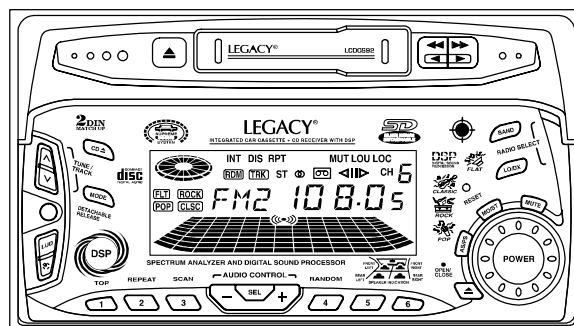


OWNER'S MANUAL

LEGACY®

INTEGRATED CAR CASSETTE + CD PLAYER
WITH DSP CONTROL
SUPER POWER OUTPUT
SLIDE-DOWN FACE DETACHABLE PANEL
FM-AM FM-MPX RADIO RECEIVER
WITH REMOTE CONTROL

MODEL: LCDCS92



BEFORE YOU BEGIN INSTALLATION

Before you begin to install the car radio, please follow the below procedure in step by step. Otherwise, the CD Player can not be operated properly.

- A) Put the detachable panel back to the car radio as shown in Diagram A (point 1 and 2).
- B) Press the slide down eject button (Diagram A point 3) until the panel is in horizontal position as shown in Diagram B.
- C) Take out the warning label as shown in Diagram B (point 4).
- D) Pull out the CD Protection Card in the middle of the radio as shown in Diagram C. After that, the radio is ready to be used.

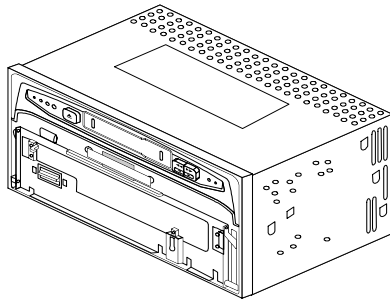


Diagram A

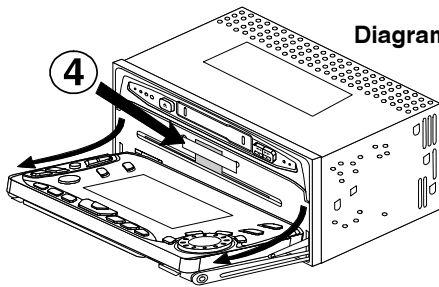
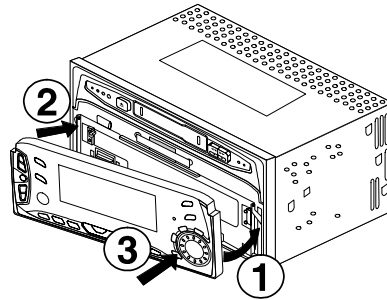


Diagram B

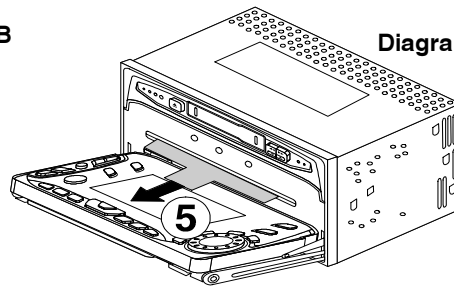


Diagram C

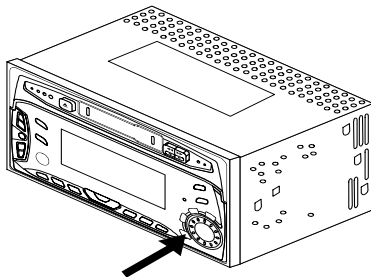
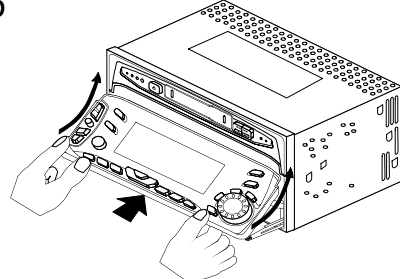
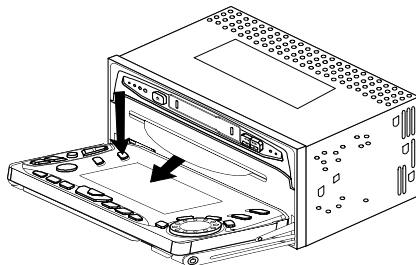
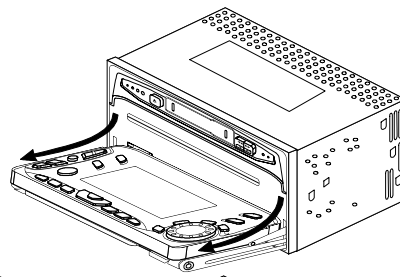
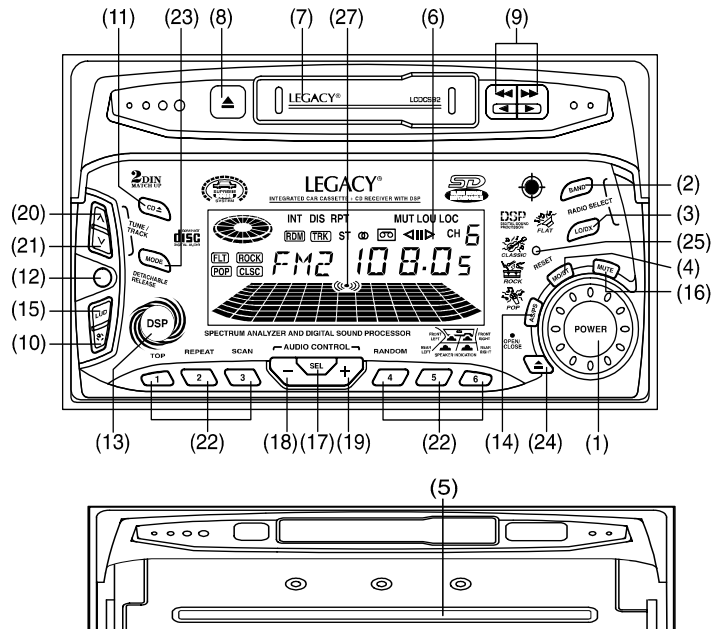


Diagram D



LOCATION OF CONTROLS



OPERATING INSTRUCTIONS

1. **POWER ON/OFF CONTROL**
Press this button to turn the power "ON" or "OFF".
2. **BAND SELECTOR**
Each time this button is pressed, the radio band is changed. The indication "FM1", "FM2", "FM3", "MW1" or "MW2" will appear on the display panel according to your selection.
3. **LOCAL/DISTANT SELECTOR**
Press this button to prevent strong local stations from overlapping weaker stations. For normal operation, press this button again for distance.
4. **STEREO/MONO CONTROL**
Press this button to select "FM STEREO" or "MONO" reception. Display reading of "ST" indicates the "FM STEREO" mode is selected.
5. **CD SLOT**
Holding the CD to insert into the CD slot. The CD mechanism will automatically engage into CD play mode.
6. **LCD DIGITAL DISPLAY**
The unit utilizes a digital type display which shows numerical indication of station FREQUENCY and other FUNCTIONS.
7. **TAPE SLOT**
Holding the cassette lengthwise insert into the tape slot. The tape mechanism will now engage into the cassette play mode when play mode is selected.
8. **EJECT BUTTON**
Depressing the eject button will stop the tape play and eject the cassette.
9. **REWIND/FAST FORWARD BUTTON**
When tape mode is selected, at the end of tape in fast forward or rewind, the unit will automatically select play mode. To release either fast forward or rewind button from the lock position, push in the other button approximately half-way. During cassette play, press the fast forward and rewind buttons simultaneously and the reverse side of the tape will play automatically.
10. **CLOCK CONTROL**
During radio and CD operation, press this button to call the time display on the incorporated quartz clock.

SETTING CLOCK TIME

1. Press CLOCK button and hold until the display flash and release.
2. Then, press "+" tuning button to set the HOUR and press "-" tuning button to set MINUTES.

11. CD EJECT BUTTON

Press this eject button will eject the compact disc.

Note: If you want to release the compact disc, press the release slide down button (# 24) first until the panel is in horizontal slide position (Diagram B). Then, press the CD eject button and the compact disc will eject automatically.

12. DETACHABLE RELEASE BUTTON

Press this button to release the detachable panel. To detach the front panel, press the button so that the left side of the panel is released. Grasp the released side and pull it off of the chassis. To re-attach the panel, position the right side of the panel in place first and then press the left side of the panel until the mechanism locks it into place.

13. DSP CONTROL

Press this button to select the sound effect (Pop, Rock, Classic, Flat).

14. AS/PS CONTROL (AUTO-STORE / PRE-SCAN)

This button allows you to enjoy "Preset Memory Scan" function by pushing it within 2 seconds, and allows you enjoy "Auto-Store Memory" function at pushing it continuously more than 2 seconds.

* AS (AUTO-STORE MEMORY)

It searches all station frequencies upward and memorize automatically 6 stations by catching the frequency which has scan-stop level, the memorized station is shown on LCD as "CH1...6". After memorizing, auto-store memory function will be changed to "Preset Memory Scan" function automatically.

* PS (PRESET MEMORY SCAN)

It calls the memorized station frequencies (from 1-6) automatically every 5 seconds.

15. LOUD CONTROL

Press this button to activate the loudness circuitry which compensates for loss of high and low frequencies during low volume levels.

SUBWOOFER SOUND (OPTIONAL)

Hold this button more than 2 seconds, the super subwoofer sound will be heard from your subwoofer speaker. When the subwoofer is selected, the "<<<>>>" will appear on LCD display (#27).

Note: You need to connect the subwoofer jack directly to your amplifier in order to hear the subwoofer sound.

16. MUTE CONTROL

Press this button to mute the volume control and "MUTE" will appear on LCD display.

17. AUDIO SELECTOR

Press this button to select "VOLUME/BASS/TREBLE/BALANCE/FADER" adjustment modes. Each time button is pressed, accessed selection is displayed. While selection is being displayed, press (within 5 sec.) AUDIO CONTROL buttons + or - to adjust level as desired.

18/19. AUDIO LEVEL Down Control (- Button) / AUDIO LEVEL Up Control (+ Button)

With the exception of VOLUME, to access all other adjustment modes "BASS/TREBLE/BAL/FADER", first press SEL. button then the + or - button. Press and release to change level slightly, repeatedly for slow adjustments, or press and hold to adjust rapidly. Display will show level increments.

• VOLUME - Press the AUDIO CONTROL + button to increase, or - button to decrease sound level.

• BASS - While "BAS" is being displayed, press the AUDIO CONTROL + button to increase or - button to decrease the bass level.

• TREBLE - While "TRE" is being displayed, press the AUDIO CONTROL + button to increase or - button to decrease the treble level.

• BALANCE - While "BAL" is being displayed, press the AUDIO CONTROL + or - button to level balance of speaker right and left.

• FADER - While "FAD" is being displayed, press the AUDIO CONTROL + or - button to level balance of front speakers and rear speakers /LINE OUT jacks.

Note : BASS AND TREBLE CONTROLS CAN NOT BE USED WHEN DSP MODE IS SELECTED (ROCK, POP, CLASSIC, FLAT).

20/21. MANUAL UP/DOWN TUNING / TRACK SEEK UP/DOWN CONTROL

On radio mode, press this button will tune one frequency step higher or lower. On CD mode, press this button will locate the beginning of the track being played or will locate the beginning of the next track. When pressing more than 2 seconds, it will move fast forward or fast backward to a specific position of a CD track.

22. STATION PRESET BUTTON (30 STATION PRESET BUTTON)

The PRESET BUTTONS on the unit are used to store station frequencies which you may wish to recall. Each preset button can store FM1, FM2, FM3, MW1, MW2 station frequency. Pressing the button momentarily recalls the station frequency which was memorized. There are 6 preset buttons, giving you capability of storing 18FM/12MW.

NOTE: When the preset button to be memorized is kept pressed for more than 2 seconds, the receiving station frequency will be stored in the button pressed. After this, the memorized station can be recalled by tapping that button once.

On CD Mode

Preset knob 1, press this button to play the first track of the disc

Preset knob 2, press this button to repeat the specific track of the disc.

Preset Knob 3, press this button to scan the first 10 seconds of all the tracks on the currently selected disc. "INTR" will indicate on LCD display.

Preset knob 4, press this button to play the disc at random order.

23. MODE CONTROL

Press this button to select either in CD, TAPE or Radio mode.

24. SLIDE DOWN EJECT BUTTON (Diagram D)

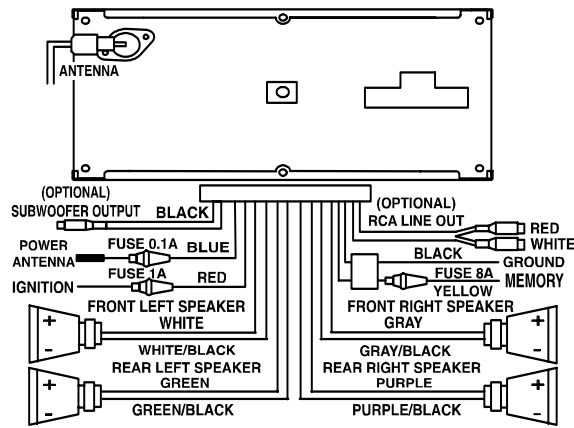
Press this button to let the panel slide down from vertical position to horizontal position. The CD slot is shown. To put the panel back to original position, use your fingers to push up the panel upwards until the panel is locked in vertical position.

25. RESET BUTTON

This RESET button is recessed in order to prevent accidental engagement, and can be activated with the tip of a ball-point pen or any similar pointed object. This reset circuitry is provided in order to protect the unit's microprocessor, and should only be activated under the following conditions:

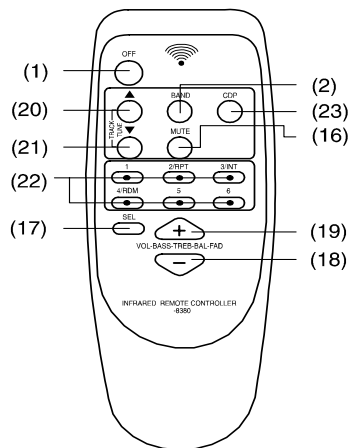
- a) Initial installation after all wiring is completed.
- b) Abnormal operation is encountered such as numerical indication on display is erratic.
- c) Whenever the reset button is activated, all preset memory content will be erased and must be reprogrammed.

WIRE CONNECTION



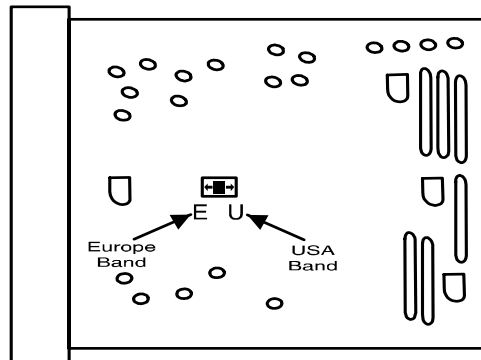
CAUTION : DO NOT GROUND ANY SPEAKER WIRES TO CHASSIS (-).

REMOTE CONTROL



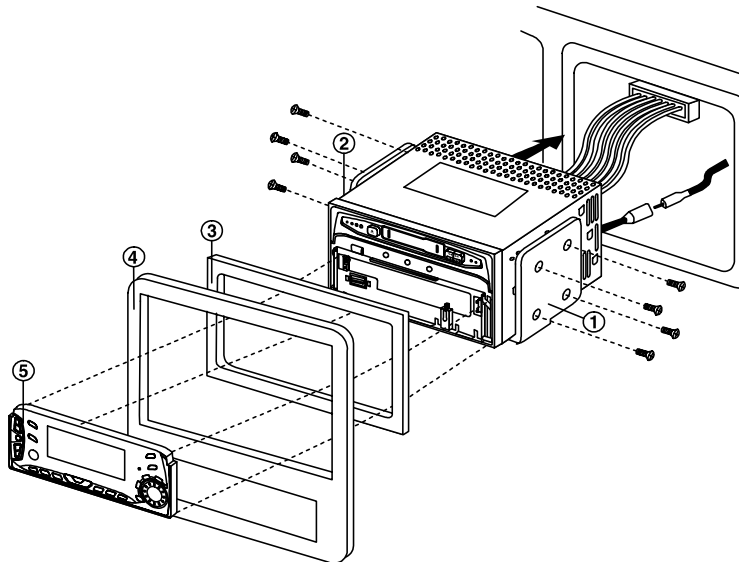
BAND SWITCH

Use small screw driver to select either in Europe or in USA band stepping by moving the switch left or right.



INSTALLATION

1. Install brackets and screws removed from your old radio (not provided with this radio).
2. Slide radio and frame into dash opening.
3. Trim ring has precut grooves on the back of it. The size of the trim ring can be reduced (made smaller) for different types of installations. Hold the trim ring firmly in one hand, and using a pair of pliers, grasp the trim ring above the score line (groove) and bend gently back and forth a couple of times. Then, the piece should break away.
4. Install dash panel.
5. Install faceplate by fitting right edge into position then pushing left edge closed.



P/N: 570-111802-03